

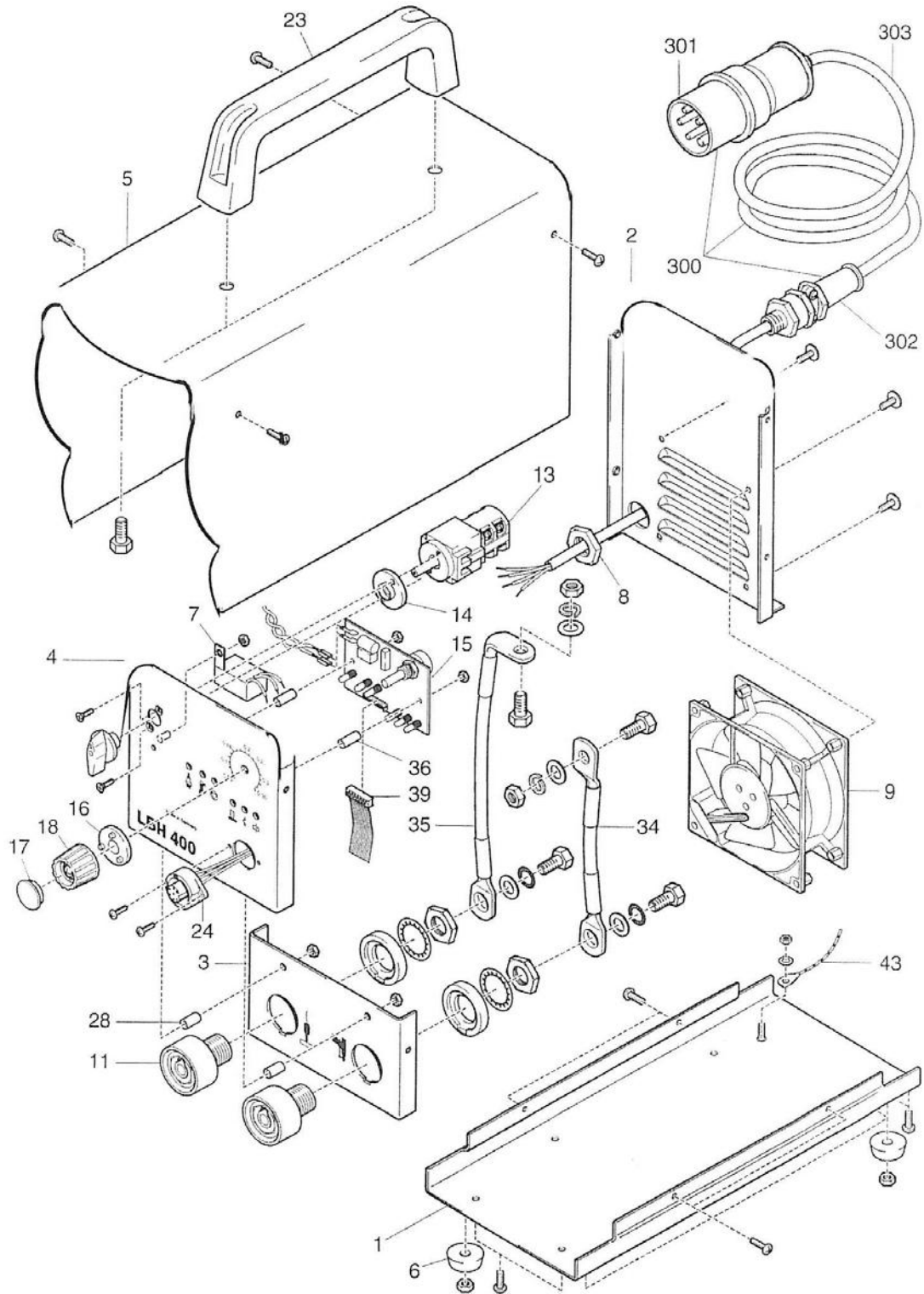
Cutlass Fasteners, Inc.

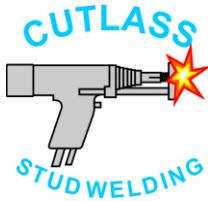
83 Vermont Ave., Unit 6, Warwick, RI 02888
 Tel: (401) 732-6333 Fax: (401) 732-6336
cutlass-studwelding.com

Stud Welding...

- Fasteners
- Equipment
- Service

LBH-410 PARTS LIST





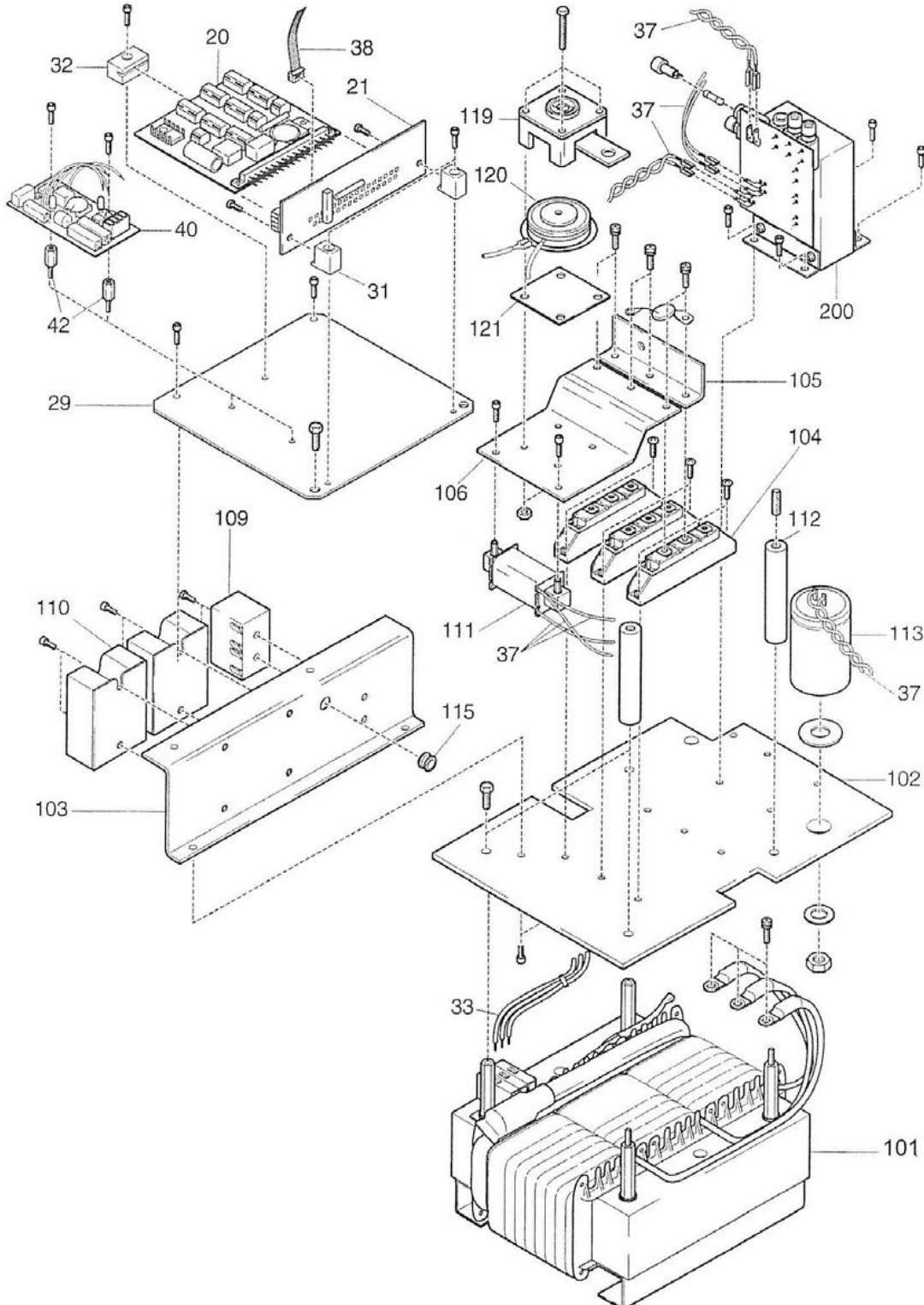
Cutlass Fasteners, Inc.

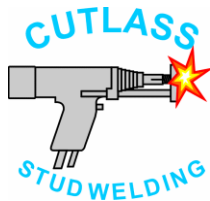
83 Vermont Ave., Unit 6, Warwick, RI 02888
 Tel: (401) 732-6333 Fax: (401) 732-6336
 cutlass-studwelding.com

Stud Welding...

- Fasteners
- Equipment
- Service

LBH-410 PARTS LIST





Cutlass Fasteners, Inc.

83 Vermont Ave., Unit 6, Warwick, RI 02888

Tel: (401) 732-6333 Fax: (401) 732-6336

cutlass-studwelding.com

Stud Welding...

- Fasteners
- Equipment
- Service

LBH-410 PARTS LIST

PART NO.	DESCRIPTION	ITEM NO.	QTY.
90-30-3035	LBH 410 C/O		
88-40-1110	CHASSIS	1	1
88-40-1420	REAR PANEL	2	1
88-30-1310	FRONT PANEL - LOWER	3	1
88-30-1230	FRONT PANEL - UPPER	4	1
83-40-1810	COVER	5	1
80-10-1020	RUBBER FOOT	6	4
80-50-1049	FILTER	7	1
80-10-1055	LOCK NUT	8	1
80-50-1015	COOLING FAN	9	1
80-50-1022	WELD SOCKET P/M	11	2
80-50-1104	MAIN SWITCH	13	1
80-40-1671	SWITCH PLATE	14	1
80-60-1025	DISPLAY PCB	15	1
80-10-1117	KNOB SKIRT	16	1
80-10-1116	KNOB COVER	17	1
80-10-1115	SWITCH KNOB	18	1
80-60-1013	MAIN PCB 410/700	20	1
80-60-1026	PCB MOUNT	21	1
80-10-1214	HANDLE	23	1
80-75-1017	CONTROL SOCKET P/M	24	1
80-75-1015	CONTROL SOCKET P/M	24	1
80-40-1691	SPACER 8X10	28	1
80-40-1207	PCB MTG. BOARD	29	1
80-40-1213	PCB MOUNT	31	2
80-40-1214	PCB CLAMP	32	1
80-72-1036	HARNESS	33	1
80-72-1046	INT. WELD CABLE SHORT	34	1
80-72-1047	INT. WELD CABLE LONG	35	1
80-10-1035	SPACER 7 X 15.3	36	2
80-72-1072	HARNESS	37	1
80-72-1073	RIBBON CABLE - DISPLAY	38	1
80-72-1074	RIBBON CABLE - MAIN	39	1
80-35-1053	CONTROL BOARD	40	1
80-10-1018	SPACER 6 X 10	42	2
80-72-1141	GROUND WIRE ASSY.	43	1
80-35-1026	TRANSFORMER ASSY.	100	1
80-65-1019	MAIN TRANSFORMER	101	1
80-40-1203	MTG. PLATE TRANSFORMER	102	1

PART NO.	DESCRIPTION	ITEM NO.	QTY.
80-40-1206	SSR MTG. PLATE	103	1
80-51-1054	DIODE MODULE	104	3
80-40-1204	MTG. PLATE DIODE (A)	105	1
80-40-1205	MTG. PLATE DIODE (B)	106	1
80-50-1097	RELAY	109	1
80-51-1014	SOLID STATE RELAY	110	2
80-65-1018	VOLTAGE REGULATOR	111	1
80-40-1278	TUBE SPACER - M6	112	2
80-52-1013	CAPACITOR 4700mfd	113	1
80-10-1112	GROMMET	115	1
80-10-1017	THRYSTOR CLAMP	119	1
80-51-1011	SCR	120	1
80-40-1041	THRYSTOR PLATE	121	1
80-35-1048	CONTROL TRANSFORMER	200	1
80-72-1035	POWER CABLE ASSY.	300	1
80-50-1065	POWER PLUG	301	1
80-10-1023	STRAIN RELIEF	302	1
80-50-1404	POWER CABLE	303	16