

Cutlass Fasteners, Inc.

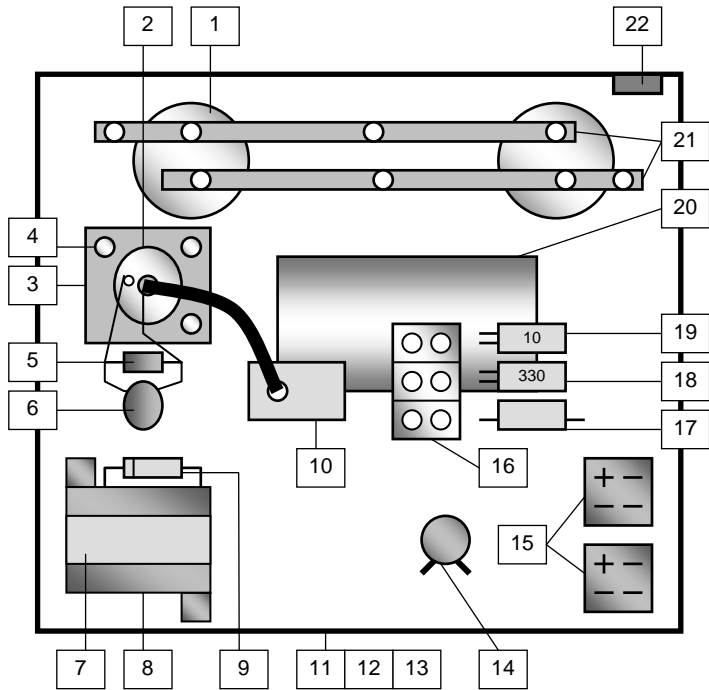
83 Vermont Ave., Unit 6, Warwick, RI 02888
 Tel: (401) 732-6333 Fax: (401) 732-6336
 cutlass-studwelding.com

Stud Welding...

- Fasteners
- Equipment
- Service

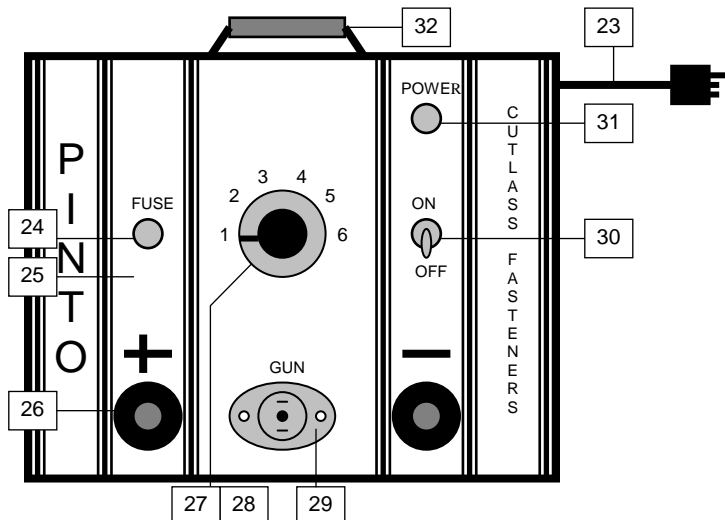
PINTO PARTS LIST

PINTO PARTS LIST

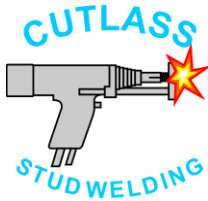


ITEM	DESCRIPTION	PART NO.
1	CAPACITOR (X2)	602-2299
2	WELD SCR	002-675
3	HEAT SINK	602-124
4	STAND OFF (X3)	602-125
5	RESISTOR 470R 1/2W	602-1055
6	CAPACITOR 0.1MFD	602-1056
7	RELAY 12VDC	602-1847
8	RELAY BASE	602-250
9	DIODE 1N4004	602-1054
10	CABLE MTG. BLOCK	602-1057
11	OUTER COVER	602-1043
12	CHASSIS	602-1042
13	FRONT PANEL	602-1025
14	DISCHARGE RESISTOR	002-984
15	BRIDGE RECTIFIER	019-592
16	TERMINAL BLOCK (X3)	002-480
17	RESISTOR 10K 1W	602-1030
18	CAPACITOR 330MFD	999-102
19	CAPACITOR 10MFD 63V	602-1029
20	MAIN TRANSFORMER	602-1026A
21	BUSS BAR STD	018-838
22	STRAIN RELIEF	018-700
23	POWER CORD & PLUG	999-090
24	CIRCUIT BREAKER 6A	602-1094
25	FRONT FACIA	602-1872A
26	WELD SOCKET (x2)	000-574
27	6-WAY SWITCH	602-1028
28	POT. KNOB	600-657P
29	CONTROL SOCKET	000-598P
30	ON/OFF SWITCH	602-050
31	NEON 110V	602-047
32	HANDLE	602-1163
33*	WIRE HARNESS	602-1050A

FRONT PANEL, FRONT VIEW



*NOT SHOWN



Cutlass Fasteners, Inc.

83 Vermont Ave., Unit 6, Warwick, RI 02888
 Tel: (401) 732-6333 Fax: (401) 732-6336
 cutlass-studwelding.com

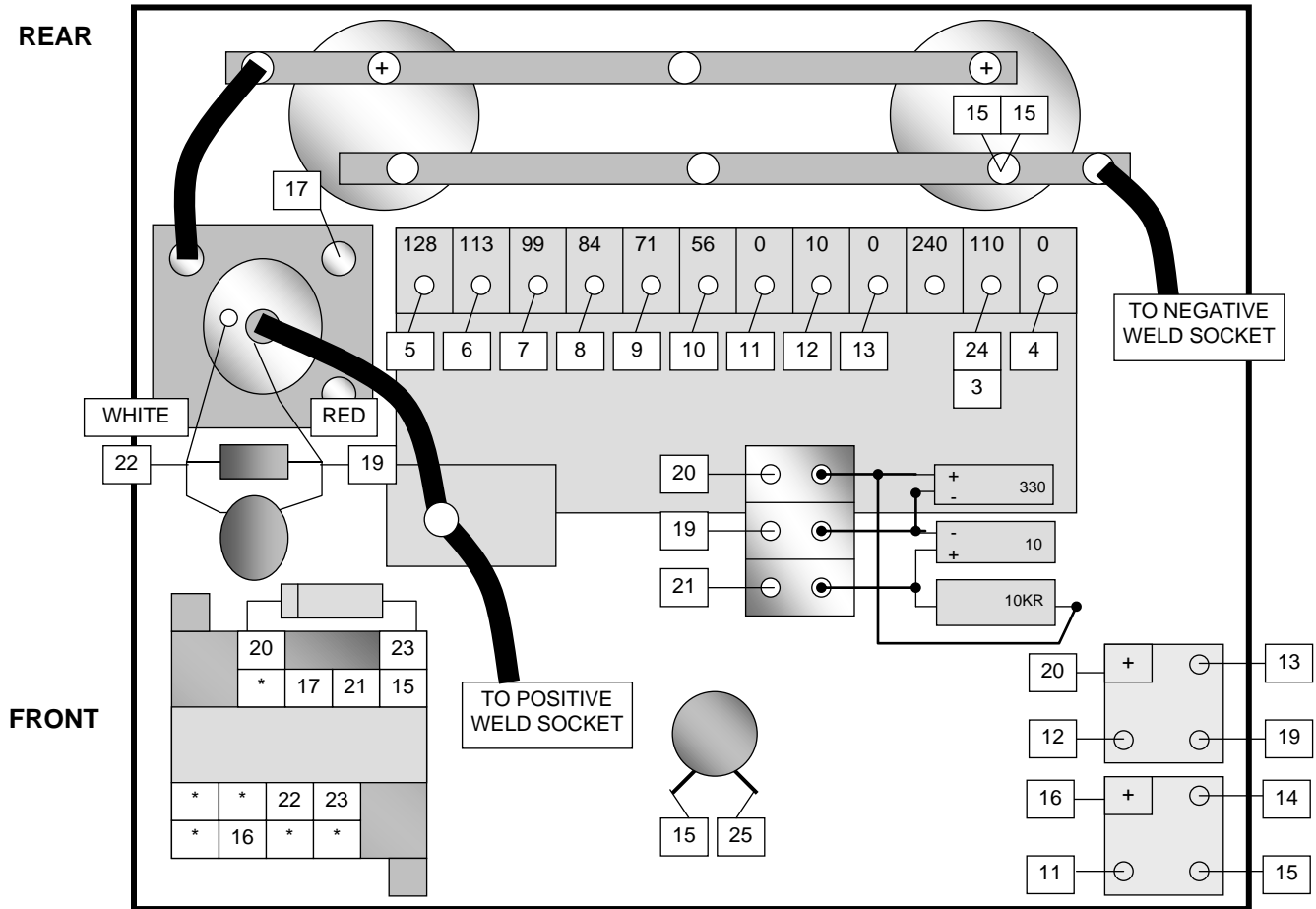
Stud Welding...

- Fasteners
- Equipment
- Service

PINTO PARTS LIST

PINTO WIRING DIAGRAM

CHASSIS, TOP VIEW



FRONT PANEL, REAR VIEW

